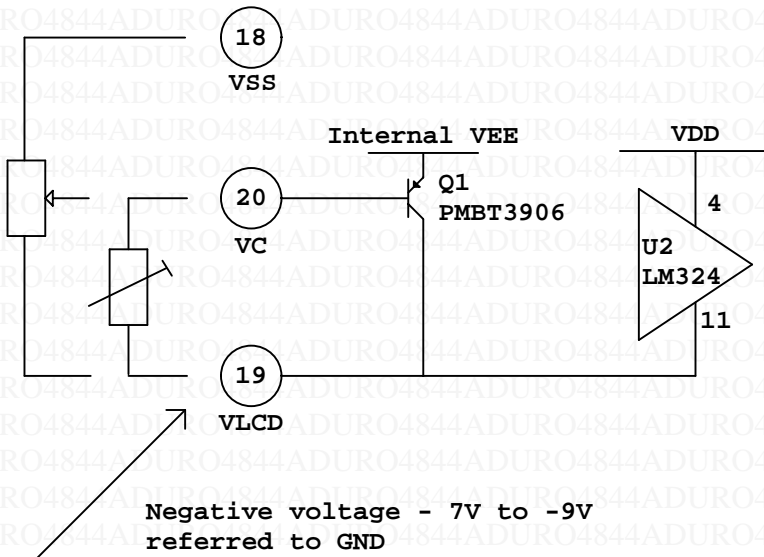


Notes: Dimensions in mm  
 Active display area 85 x 32 mm  
 Chipset HD61202 / HD61203  
 CS1 CS2 CS3 see HD61202/3 datasheet  
 VCC 3.3 to 5 Volt

Internal details



Connector pinout

H1			
CS2	2	1	CS1
R/W	4	3	CS3
EN	6	5	D/I
DB1	8	7	DB0
DB3	10	9	DB2
DB5	12	11	DB4
DB7	14	13	DB6
N/C	16	15	RST
VSS	18	17	VDD
VC	20	19	VLCD

- CS1 connected to pin CS1 of U3
- CS2 connected to pin CS2 of U4
- CS3 connected to pin CS3 of U3 and U4

- U3 (CS1) - H1 Pin 1
- U3 (CS2) - VSS
- U3 (CS3) - H1 Pin 3
- U4 (CS1) - VDD
- U4 (CS2) - H1 Pin 2
- U4 (CS3) - H1 Pin 3