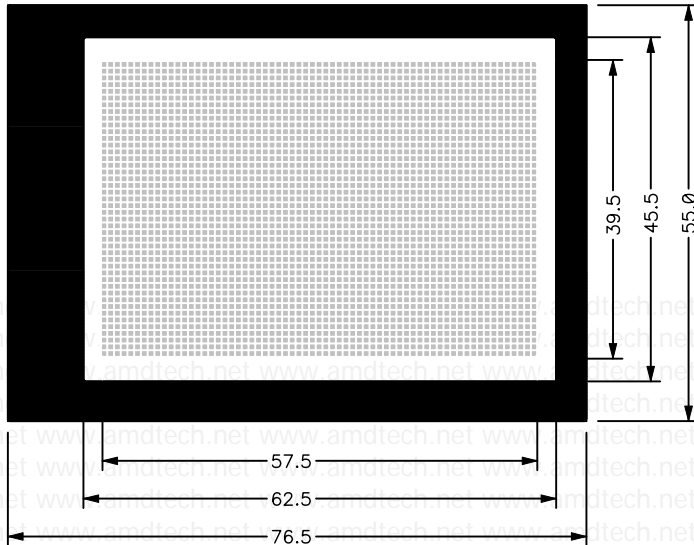


ITM-12864K49-05

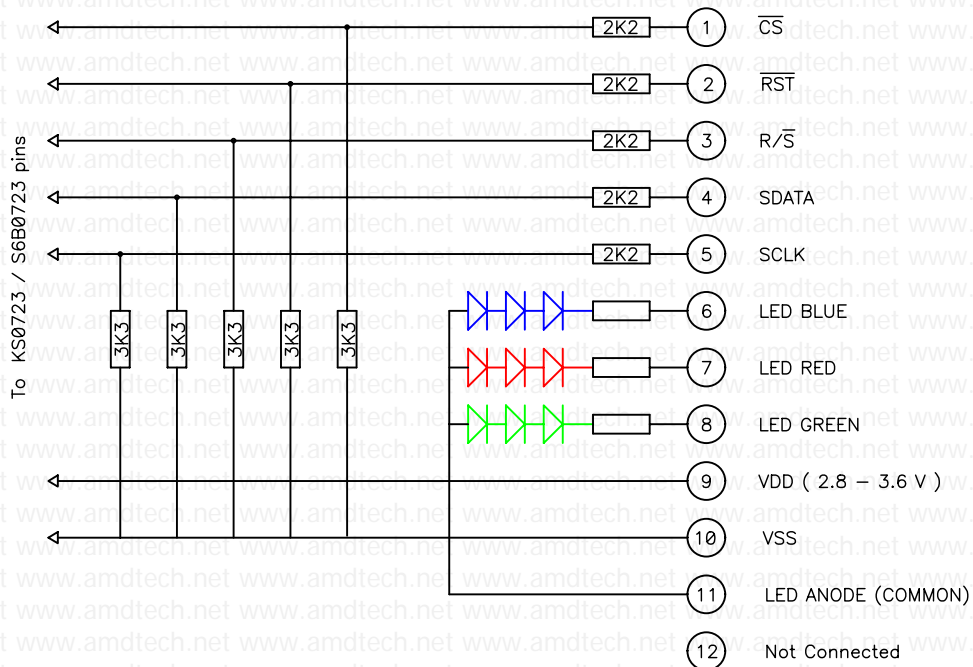


ITM 12864K49 – 05
 LCD DISPLAY 128 x 64 PIXELS
 KS0723 / S6B0723
 BACKLIGHT RED, GREEN and BLUE

Active display area
 57.5 x 39.5 mm

Recommended initialization sequence and values

- 1 – 0xA0 – ADC Select
 - 2 – 0xC8 – SHL Select
 - 3 – 0xA2 – LDC Bias Select
 - 4 – 0x81 – LCD Contrast Set (1 of 2)
 - 5 – 0x29 – LCD Contrast Set (2 of 2)
 - 6 – 0x2C – Voltage converter ON
 - 7 – 0x2D – Voltage regulator ON
 - 8 – 0x2F – Voltage follower ON
 - 9 – 0xAF – LCD Display ON
- Steps 6, 7 and 8 can be combined by writing 0x2F to KS0723 controller



FFC connector
 1 mm pitch